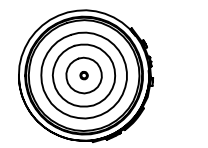
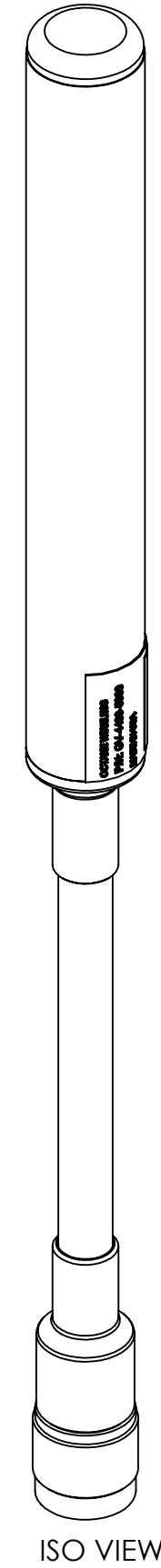
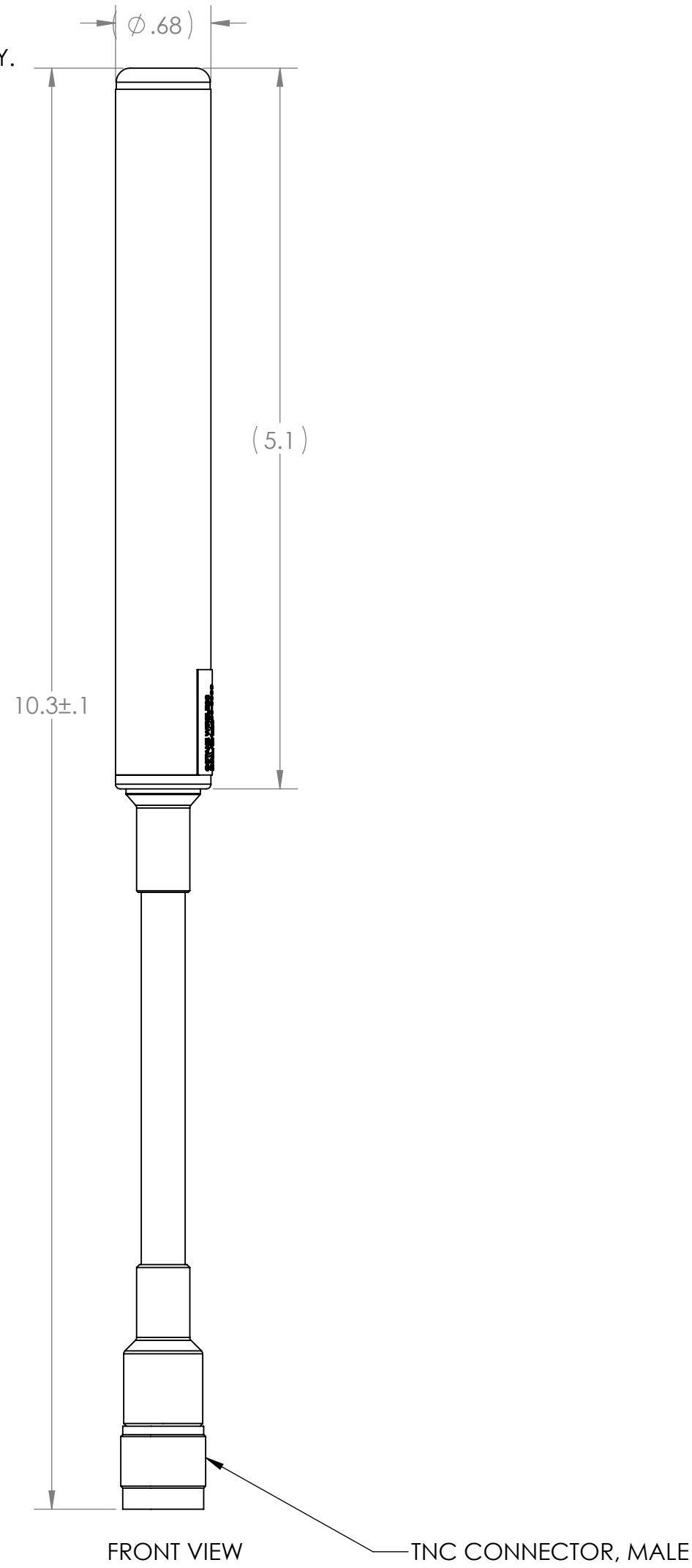


NOTES:

1. OCTANE P/N: 103066
2. TRACEABILITY: OCTANE S/N
3. ALL DIMENSIONS IN PARENTHESES () ARE REFERENCE ONLY.
6. PART MARKING: OCTANE MODEL NUMBER LABEL
5. FREQUENCY RANGE: 4400-5000 MHz
6. WEIGHT: 2.7 OZ



REVISIONS				
ZONE	REV.	DESCRIPTION	DATE	APPROVED
N/A	A	INITIAL RELEASE	4/26/2019	BZG
N/A	B	UPDATED CAP AND RADOME TO MATTE FINISH	5/3/2020	BZG
N/A	C	DWG UPDATE	7/12/2021	BZG

THIRD ANGLE PROJECTION

PROPRIETARY AND CONFIDENTIAL
 THE INFORMATION CONTAINED IN THIS DRAWING IS THE SOLE PROPERTY OF OCTANE WIRELESS. ANY REPRODUCTION IN PART OR AS A WHOLE WITHOUT THE WRITTEN PERMISSION OF OCTANE WIRELESS IS PROHIBITED.

UNLESS OTHERWISE SPECIFIED:		NAME	DATE	OCTANE WIRELESS 1340 CHARWOOD ROAD, SUITE L HANOVER, MD 21076
DIMENSIONS ARE IN INCHES		DRAWN	BZG 05/28/2019	
TOLERANCES: TWO PLACE DECIMAL ±.010 THREE PLACE DECIMAL ±.005 ANGULAR ±1°		CHECKED		
MATERIAL		ENG APPR.		
SEE NOTES		MFG APPR.		TITLE: ASSEMBLY, GOOSENECK ANTENNA, 4400 - 5000 MHz, VP, TNC CONNECTOR MALE
FINISH SEE NOTES		COMMENTS:		
DO NOT SCALE DRAWING				SIZE DWG. NO. REV C GV-4400-5000 C
			SHEET SCALE 1:1 SHEET 1 OF 1	