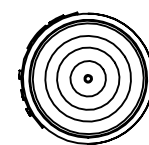
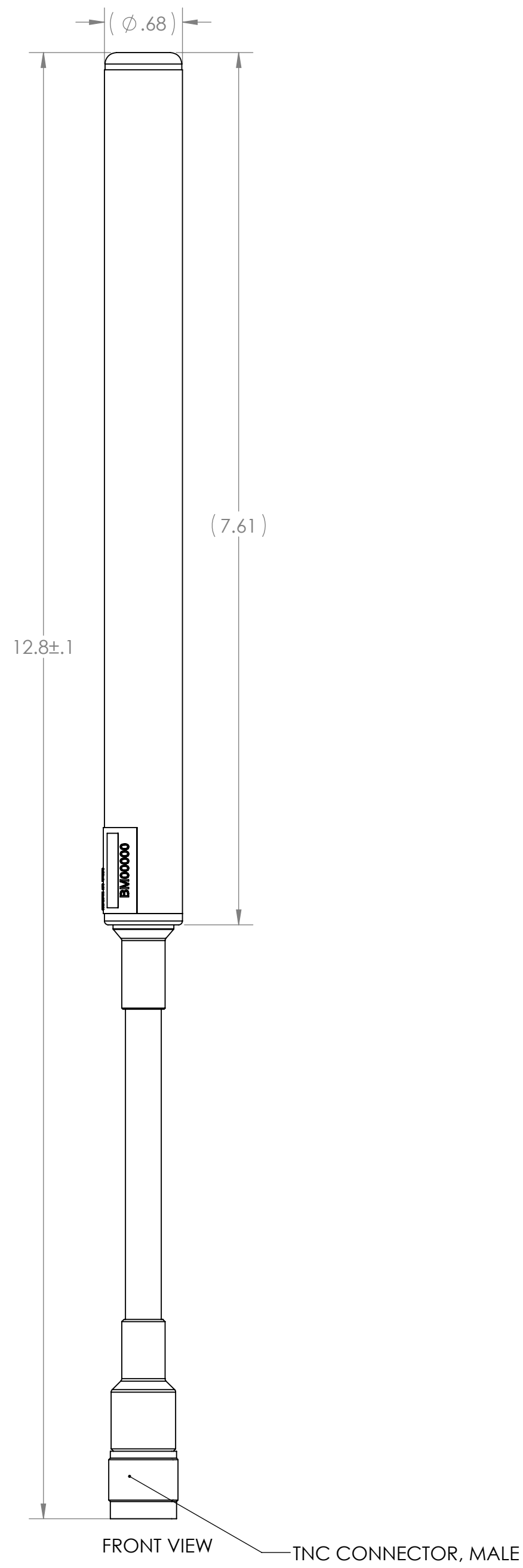
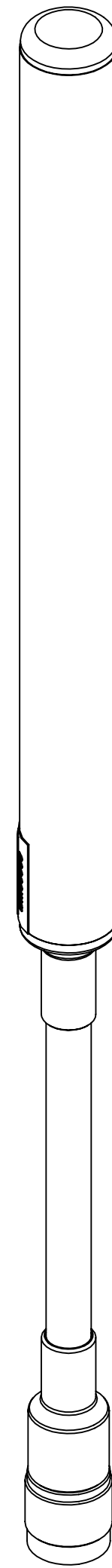


NOTES:

1. OCTANE P/N: 103068 -001
2. TRACEABILITY: OCTANE S/N
3. ALL DIMENSIONS IN PARENTHESES () ARE REFERENCE ONLY.
6. PART MARKING: OCTANE MODEL NUMBER LABEL
5. FREQUENCY RANGE: 2200-2500 MHz
6. WEIGHT: 2.9 OZ



BOTTOM VIEW



ISO VIEW

REVISIONS				
ZONE	REV.	DESCRIPTION	DATE	APPROVED
N/A	A	INITIAL RELEASE	4/26/2019	BZG
N/A	B	UPDATED CAP AND RADOME TO MATTE FINISH	5/3/2020	BZG
N/A	C	DWG UPDATE	6/10/2021	BZG

<p>UNLESS OTHERWISE SPECIFIED:</p> <p>DIMENSIONS ARE IN INCHES</p> <p>TOLERANCES:</p> <p>TWO PLACE DECIMAL ±.010</p> <p>THREE PLACE DECIMAL ±.005</p> <p>ANGULAR ±1°</p> <p>MATERIAL</p> <p>SEE NOTES</p> <p>FINISH</p> <p>SEE NOTES</p> <p>DO NOT SCALE DRAWING</p>	<p>THIRD ANGLE PROJECTION</p>	<p>NAME</p> <p>BZG</p>	<p>DATE</p> <p>05/28/2019</p>	<p>OCTANE WIRELESS</p> <p>1340 CHARWOOD ROAD, SUITE L</p> <p>HANOVER, MD 21076</p>
	<p>PROPRIETARY AND CONFIDENTIAL</p> <p>THE INFORMATION CONTAINED IN THIS DRAWING IS THE SOLE PROPERTY OF OCTANE WIRELESS. ANY REPRODUCTION IN PART OR AS A WHOLE WITHOUT THE WRITTEN PERMISSION OF OCTANE WIRELESS IS PROHIBITED.</p>	<p>CHECKED</p> <p>ENG APPR.</p> <p>MFG APPR.</p>	<p>COMMENTS:</p>	<p>TITLE:</p> <p>ASSEMBLY, GOOSENECK ANTENNA, 2200 - 2500 MHz, VP, 5 dBi, TNC MALE CONNECTOR</p>
	<p>SIZE</p> <p>C</p>	<p>DWG. NO.</p> <p>GV-2200-2500 (5)</p>	<p>REV</p> <p>C</p>	<p>SHEET SCALE 1:1</p>
	<p>SHEET SCALE 1:1</p>		<p>SHEET 1 OF 1</p>	