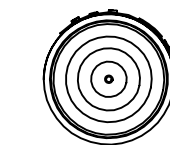
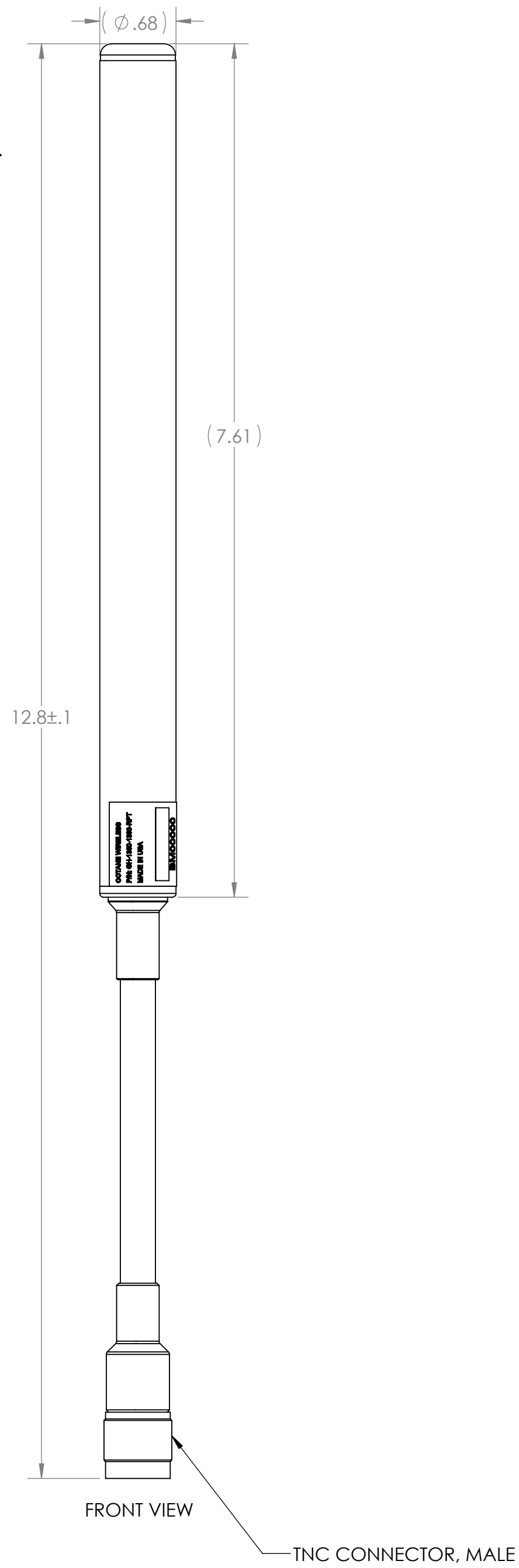
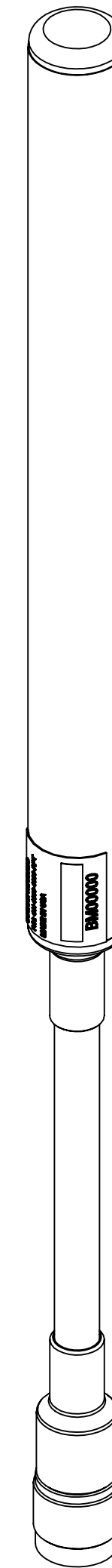


NOTES:

1. OCTANE P/N: 103224 -001
2. TRACEABILITY: OCTANE S/N
3. ALL DIMENSIONS IN PARENTHESES () ARE REFERENCE ONLY.
4. PART MARKING: OCTANE MODEL NUMBER LABEL
5. FREQUENCY RANGE: 1350-1390 MHz
6. WEIGHT: 2.9 OZ



BOTTOM VIEW



ISO VIEW

REVISIONS				
ZONE	REV.	DESCRIPTION	DATE	APPROVED
N/A	A	INITIAL RELEASE	1/23/2020	BZG
N/A	B	UPDATED CAP AND RADOME TO MATTE FINISH	5/3/2020	BZG
N/A	D	DWG UPDATE	6/9/2021	BZG
N/A	E	DWG UPDATE	9/29/2021	BZG

THIRD ANGLE PROJECTION

PROPRIETARY AND CONFIDENTIAL
 THE INFORMATION CONTAINED IN THIS DRAWING IS THE SOLE PROPERTY OF OCTANE WIRELESS. ANY REPRODUCTION IN PART OR AS A WHOLE WITHOUT THE WRITTEN PERMISSION OF OCTANE WIRELESS IS PROHIBITED.

UNLESS OTHERWISE SPECIFIED: DIMENSIONS ARE IN INCHES	DRAWN	NAME	DATE
TOLERANCES: TWO PLACE DECIMAL ±.010 THREE PLACE DECIMAL ±.005 ANGULAR ±1°	CHECKED	BZG	05/28/2019
MATERIAL	ENG APPR.		
SEE NOTES	MFG APPR.		
FINISH	COMMENTS:		
SEE NOTES			
DO NOT SCALE DRAWING			

OCTANE WIRELESS
 1340 CHARWOOD ROAD, SUITE L
 HANOVER, MD 21076

TITLE:
 ASSEMBLY, GOOSENECK
 ANTENNA, 1350-1390 MHz, VP
 (3), TNC MALE CONNECTOR

SIZE	DWG. NO.	REV
C	GV-1350-1390 (3)	E

SHEET SCALE 1:1 SHEET 1 OF 1