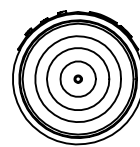
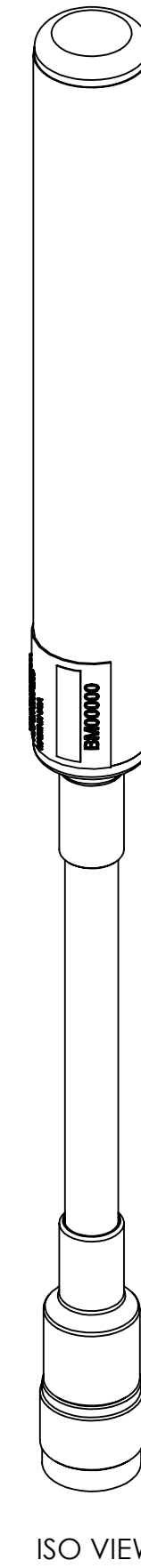
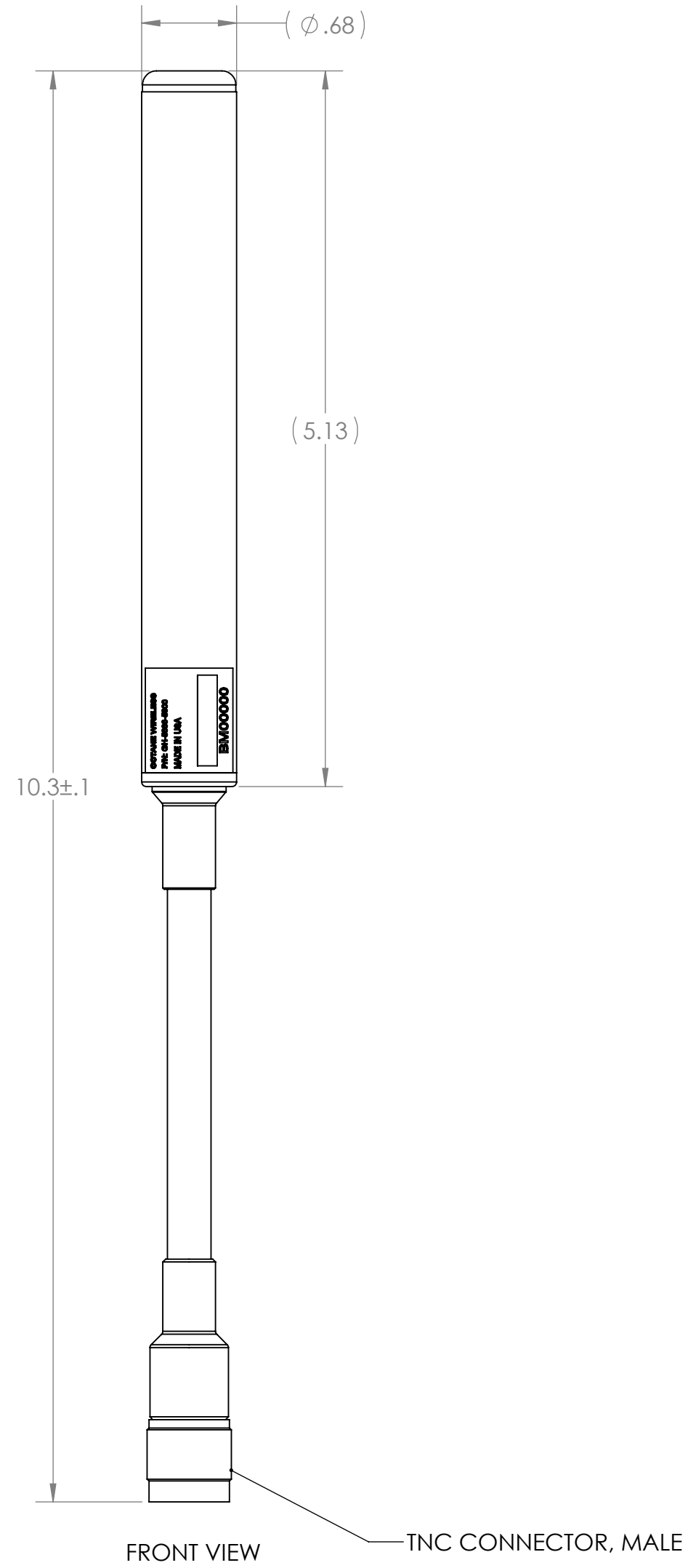


NOTES:

1. OCTANE P/N: 103064
2. TRACEABILITY: OCTANE S/N
3. ALL DIMENSIONS IN PARENTHESES () ARE REFERENCE ONLY.
6. PART MARKING: OCTANE MODEL NUMBER LABEL
5. FREQUENCY RANGE: 5000-5900 MHz
6. WEIGHT: 2.9 OZ

REVISIONS				
ZONE	REV.	DESCRIPTION	DATE	APPROVED
N/A	A	INITIAL RELEASE	4/26/2019	BZG
N/A	B	UPDATED CAP AND RADOME TO MATTE FINISH	5/3/2020	BZG
N/A	C	DWG UPDATE	5/28/2021	BZG



BOTTOM VIEW

THIRD ANGLE PROJECTION

PROPRIETARY AND CONFIDENTIAL
THE INFORMATION CONTAINED IN THIS DRAWING IS THE SOLE PROPERTY OF OCTANE WIRELESS. ANY REPRODUCTION IN PART OR AS A WHOLE WITHOUT THE WRITTEN PERMISSION OF OCTANE WIRELESS IS PROHIBITED.

UNLESS OTHERWISE SPECIFIED:		NAME	DATE
DIMENSIONS ARE IN INCHES		DRAWN	BZG 05/28/19
TOLERANCES:		CHECKED	CLQ 10/14/21
TWO PLACE DECIMAL ±.010		ENG APPR.	DN 05/28/19
THREE PLACE DECIMAL ±.005		MFG APPR.	AF 05/28/19
ANGULAR ±1°		COMMENTS:	
MATERIAL		SEE NOTES	
FINISH		SEE NOTES	
DO NOT SCALE DRAWING			

OCTANE WIRELESS 1340 CHARWOOD ROAD, SUITE L HANOVER, MD 21076		
TITLE: ASSEMBLY, GOOSENECK ANTENNA, 5000-5900 MHz, HP, TNC MALE CONNECTOR		
SIZE	DWG. NO.	REV
C	GH-5000-5900	C
SHEET SCALE 1:1		SHEET 1 OF 1