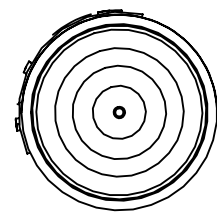
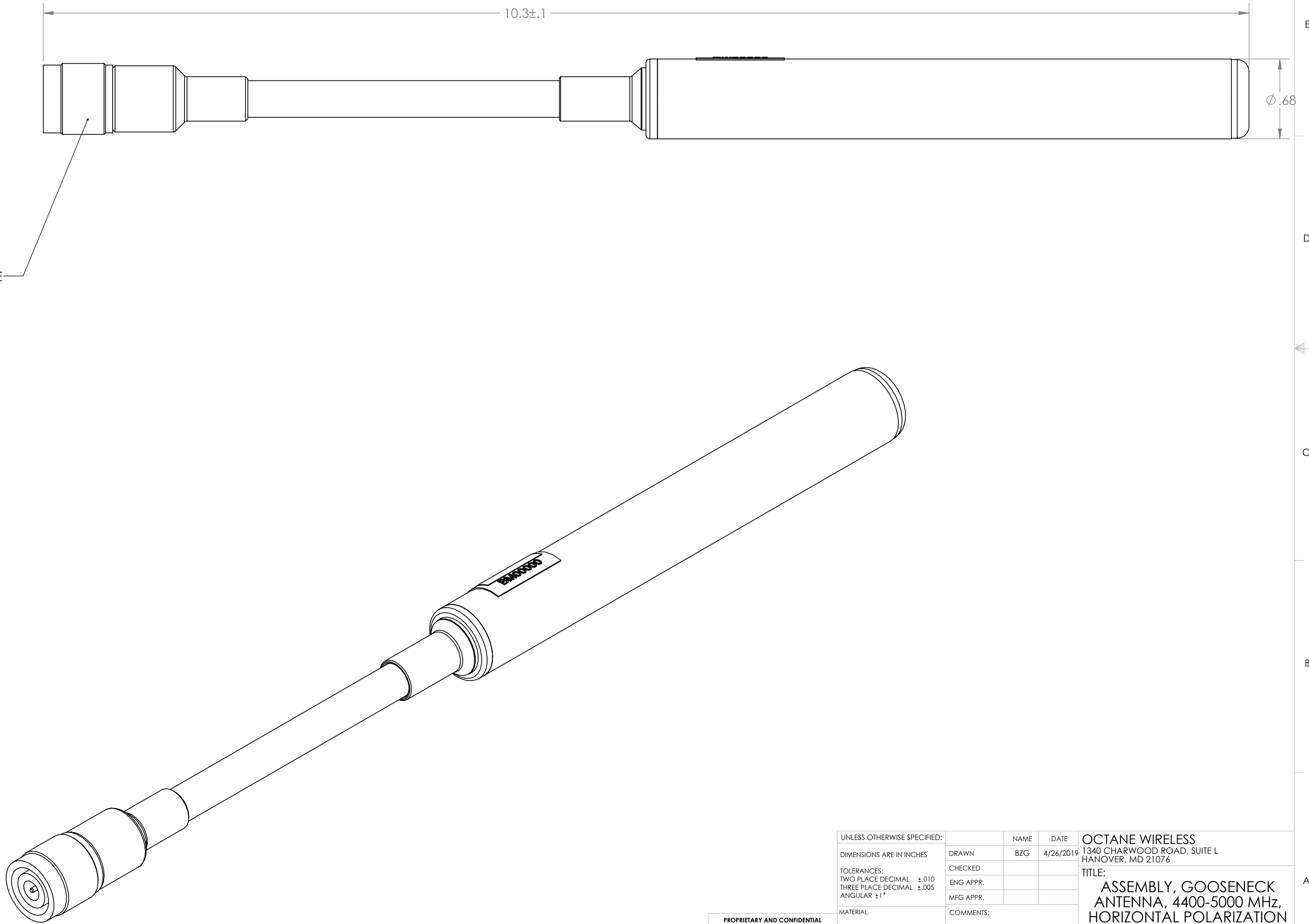


1. OCTANE WIRELESS P/N: 103065
2. TRACEABILITY: TAGGED WITH OCTANE WIRELESS S/N
3. PART MARKING: OCTANE WIRELESS PART NUMBER LABEL 102371-008
4. FREQUENCY OF OPERATION: 4400-5000 MHZ
5. WEIGHT: 3 OZ

REVISIONS				
ZONE	REV.	DESCRIPTION	DATE	APPROVED
N/A	A	INITIAL RELEASE	4/26/2019	BZG
N/A	B	UPDATED CAP AND RADOME TO MATTE FINISH	5/3/2020	BZG



TNC CONNECTOR, MALE



PROPRIETARY AND CONFIDENTIAL
 THE INFORMATION CONTAINED IN THIS DRAWING IS THE SOLE PROPERTY OF PHARAD, LLC. ANY REPRODUCTION IN PART OR AS A WHOLE WITHOUT THE WRITTEN PERMISSION OF PHARAD, LLC IS PROHIBITED.

UNLESS OTHERWISE SPECIFIED:	NAME	DATE
DIMENSIONS ARE IN INCHES	DRAWN BZG	4/26/2019
TOLERANCES:	CHECKED	
TWO PLACE DECIMAL ±.010	ENG APPR.	
THREE PLACE DECIMAL ±.005	MFG APPR.	
ANGULAR ±1°	COMMENTS:	
MATERIAL		
SEE NOTES		
FINISH		
SEE NOTES		
DO NOT SCALE DRAWING		

OCTANE WIRELESS 1340 CHARWOOD ROAD, SUITE L HANOVER, MD 21076		
TITLE: ASSEMBLY, GOOSENECK ANTENNA, 4400-5000 MHZ, HORIZONTAL POLARIZATION		
SIZE	DWG. NO.	REV
C	GH-4400-5000	B
SHEET 1 OF 1		