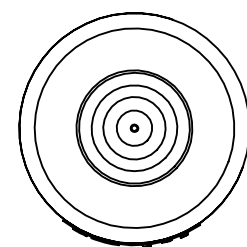
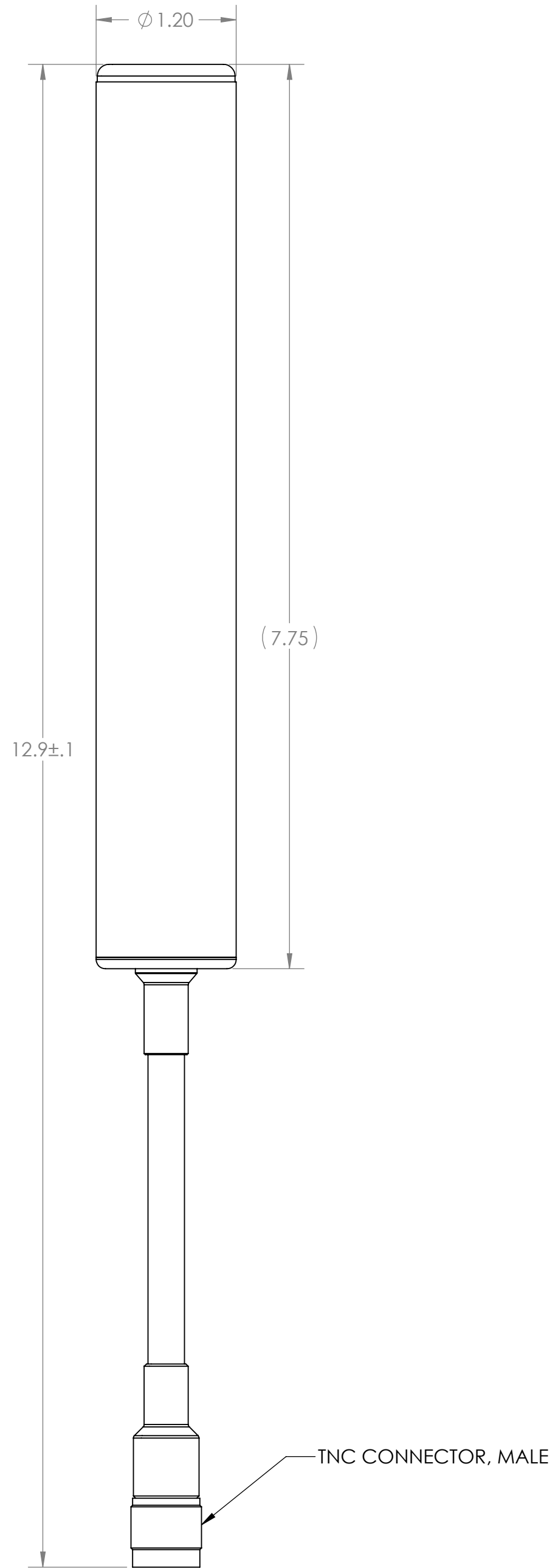


NOTES:

1. OCTANE P/N: 103566
2. TRACEABILITY: OCTANE S/N
3. ALL DIMENSIONS IN PARENTHESES () ARE REFERENCE ONLY.
6. PART MARKING: OCTANE MODEL NUMBER LABEL
5. FREQUENCY RANGE: 2025-2110 MHz
6. WEIGHT: 4.6 OZ

REVISIONS				
ZONE	REV.	DESCRIPTION	DATE	APPROVED
N/A	A	DWG UPDATE	6/3/2021	BZG



THIRD ANGLE PROJECTION

PROPRIETARY AND CONFIDENTIAL
 THE INFORMATION CONTAINED IN THIS DRAWING IS THE SOLE PROPERTY OF OCTANE WIRELESS. ANY REPRODUCTION IN PART OR AS A WHOLE WITHOUT THE WRITTEN PERMISSION OF OCTANE WIRELESS IS PROHIBITED.

UNLESS OTHERWISE SPECIFIED: DIMENSIONS ARE IN INCHES	DRAWN	NAME	DATE
TOLERANCES: TWO PLACE DECIMAL ± 0.10 THREE PLACE DECIMAL ± 0.005 ANGULAR $\pm 1^\circ$	CHECKED	BZG	06/03/2021
MATERIAL	ENG APPR.		
SEE NOTES	MFG APPR.		
FINISH	COMMENTS:		
DO NOT SCALE DRAWING			

OCTANE WIRELESS 1340 CHARWOOD ROAD, SUITE L HANOVER, MD 21076		
TITLE: ASSEMBLY, GOOSENECK ANTENNA, 2025-2110 MHz, HP, TNC MALE CONNECTOR		
SIZE	DWG. NO.	REV
C	GH-2025-2110	A
SHEET SCALE 1:1		SHEET 1 OF 1