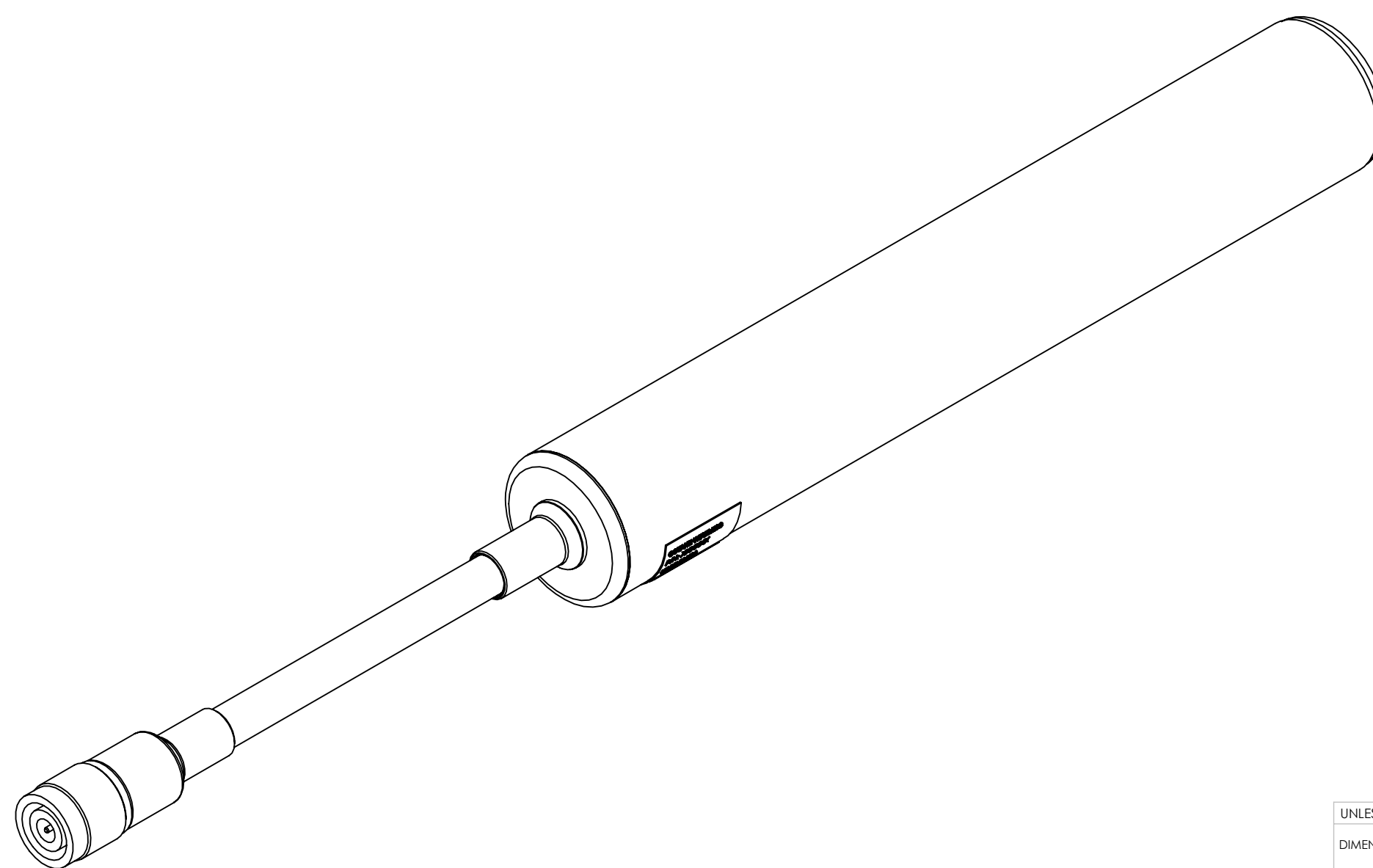
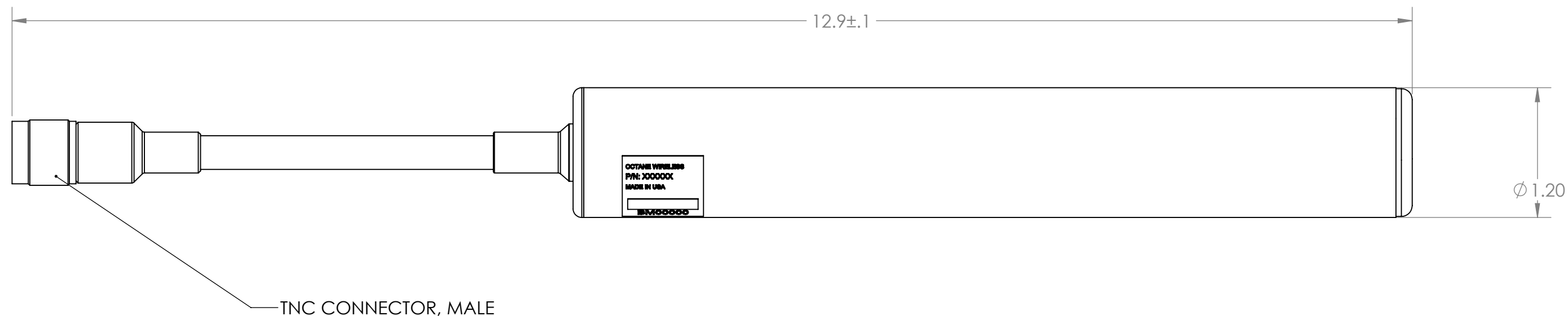
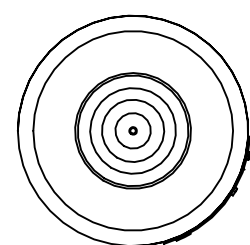


1. OCTANE WIRELESS P/N: 103295
2. TRACEABILITY: TAGGED WITH OCTANE WIRELESS S/N
3. PART MARKING: OCTANE WIRELESS PART NUMBER LABEL
4. FREQUENCY OF OPERATION: 1350-1390 MHz
5. WEIGHT: 4.1 OZ

REVISIONS				
ZONE	REV.	DESCRIPTION	DATE	APPROVED
N/A	A	INITIAL RELEASE	5/4/2020	BZG



PROPRIETARY AND CONFIDENTIAL
 THE INFORMATION CONTAINED IN THIS DRAWING IS THE SOLE PROPERTY OF PHARAD, LLC. ANY REPRODUCTION IN PART OR AS A WHOLE WITHOUT THE WRITTEN PERMISSION OF PHARAD, LLC IS PROHIBITED.

UNLESS OTHERWISE SPECIFIED:	NAME	DATE
DIMENSIONS ARE IN INCHES	DRAWN BZG	5/4/2020
TOLERANCES:	CHECKED	
TWO PLACE DECIMAL ±.010	ENG APPR.	
THREE PLACE DECIMAL ±.005	MFG APPR.	
ANGULAR ±1°	COMMENTS:	
MATERIAL		
SEE NOTES		
FINISH		
SEE NOTES		
DO NOT SCALE DRAWING		

OCTANE WIRELESS
 1340 CHARWOOD ROAD, SUITE L
 HANOVER, MD 21076

TITLE:
**ASSEMBLY, GOOSENECK
 ANTENNA, 1350-1390 MHz
 (3), H-POL**

SIZE	DWG. NO.	REV
C	GH-1350-1390(3)	A