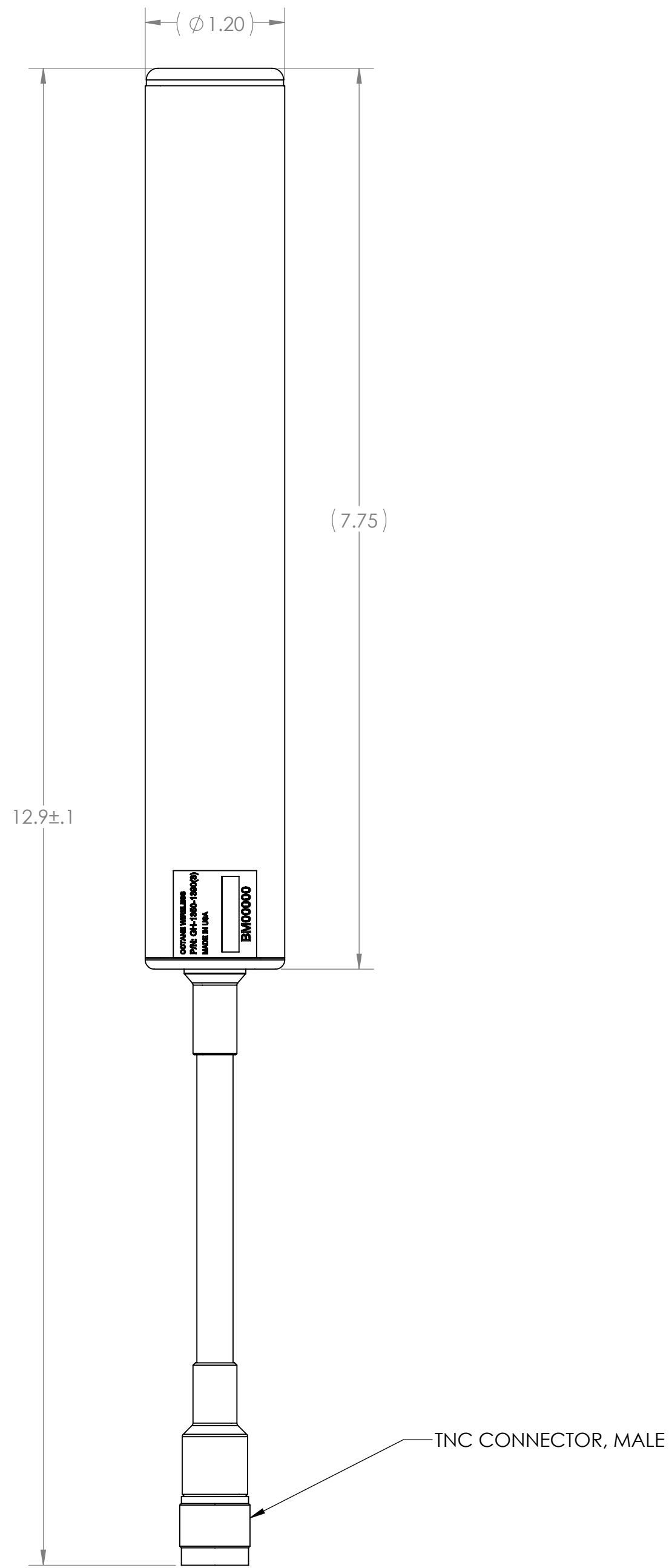


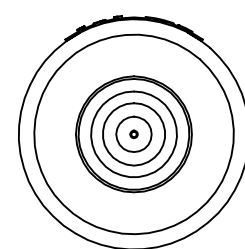
NOTES:

1. OCTANE P/N: 103295 -001
2. TRACEABILITY: OCTANE S/N
3. ALL DIMENSIONS IN PARENTHESES () ARE REFERENCE ONLY.
6. PART MARKING: OCTANE MODEL NUMBER LABEL
5. FREQUENCY RANGE: 1350-1390 MHz
6. WEIGHT: 4.7 OZ

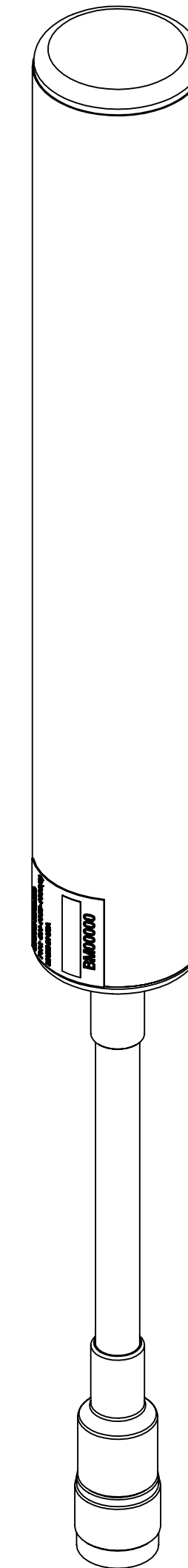
REVISIONS				
ZONE	REV.	DESCRIPTION	DATE	APPROVED
N/A	A	INITIAL RELEASE	5/4/2020	BZG
N/A	B	DWG UPDATE	5/19/2021	BZG



FRONT VIEW



BOTTOM VIEW



ISO VIEW

THIRD ANGLE PROJECTION

PROPRIETARY AND CONFIDENTIAL
 THE INFORMATION CONTAINED IN THIS DRAWING IS THE SOLE PROPERTY OF OCTANE WIRELESS. ANY REPRODUCTION IN PART OR AS A WHOLE WITHOUT THE WRITTEN PERMISSION OF OCTANE WIRELESS IS PROHIBITED.

UNLESS OTHERWISE SPECIFIED: DIMENSIONS ARE IN INCHES	DRAWN	BZG	05/28/19
TOLERANCES: TWO PLACE DECIMAL ±.010 THREE PLACE DECIMAL ±.005 ANGULAR ±1°	CHECKED	CLQ	09/27/21
MATERIAL	ENG APPR.	DN	05/21/21
SEE NOTES	MFG APPR.	AF	05/21/21
FINISH	COMMENTS:		
SEE NOTES			
DO NOT SCALE DRAWING			

OCTANE WIRELESS 1340 CHARWOOD ROAD, SUITE L HANOVER, MD 21076		
TITLE: ASSEMBLY, GOOSENECK ANTENNA, 1350-1390 (3), HP, TNC MALE CONNECTOR		
SIZE	DWG. NO.	REV
C	GH-1350-1390 (3)	B
SHEET SCALE 1:2		SHEET 1 OF 1