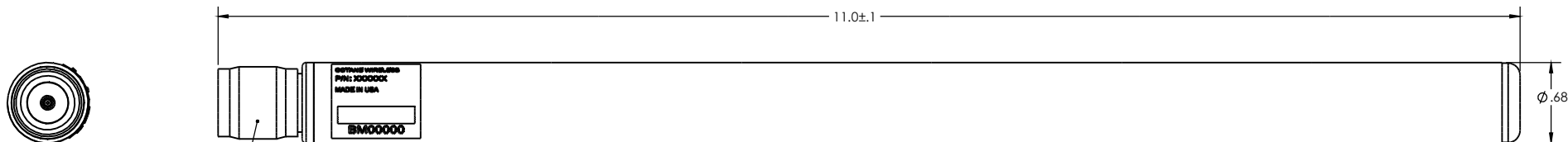
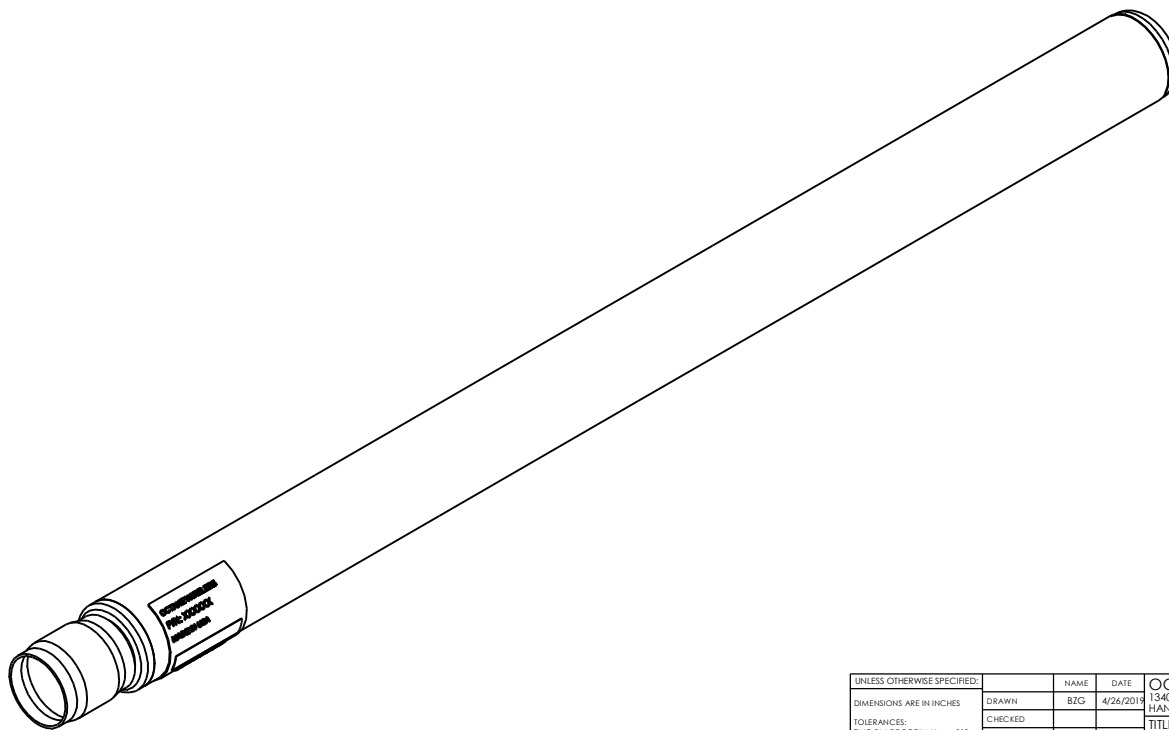


1. OCTANE WIRELESS P/N:103071
2. TRACEABILITY: TAGGED WITH OCTANE WIRELESS S/N
3. PART MARKING: OCTANE WIRELESS MODEL NUMBER
4. FREQUENCY OF OPERATION: 2200-2500 MHz
5. WEIGHT: 1.6 OZ

REVISIONS				
ZONE	REV.	DESCRIPTION	DATE	APPROVED
N/A	A	INITIAL RELEASE	4/26/2019	BZG
N/A	B	UPDATED CAP AND RADOME TO MATTE FINISH	5/1/2020	BZG



TNC CONNECTOR, MALE



PROPRIETARY AND CONFIDENTIAL
 THE INFORMATION CONTAINED IN THIS DRAWING IS THE SOLE PROPERTY OF PHARAD, LLC. ANY REPRODUCTION IN PART OR AS A WHOLE WITHOUT THE WRITTEN PERMISSION OF PHARAD, LLC IS PROHIBITED.

UNLESS OTHERWISE SPECIFIED: DIMENSIONS ARE IN INCHES TOLERANCES: TWO PLACE DECIMAL ±.010 THREE PLACE DECIMAL ±.005 ANGULAR ±1°	NAME BZG	DATE 4/26/2019	OCTANE WIRELESS 1340 CHARWOOD ROAD, SUITE L HANOVER, MD 21076 TITLE: ASSEMBLY, FIXED ANTENNA, 2200-2500 MHz, VERTICAL POLARIZATION (6)
MATERIAL SEE NOTES	CHECKED	ENG APPR.	
FINISH SEE NOTES	ENG APPR.	MFG APPR.	
DO NOT SCALE DRAWING	COMMENTS:		
SIZE C	DWG. NO. FV-2200-2500 (6)	REV B	SHEET 1 OF 1