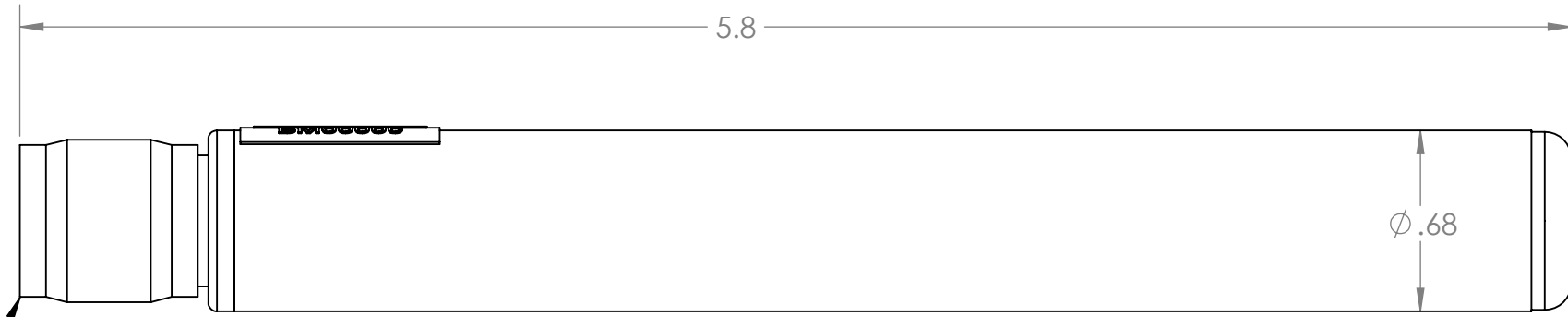
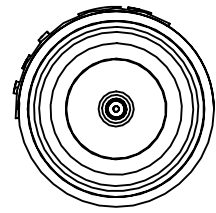
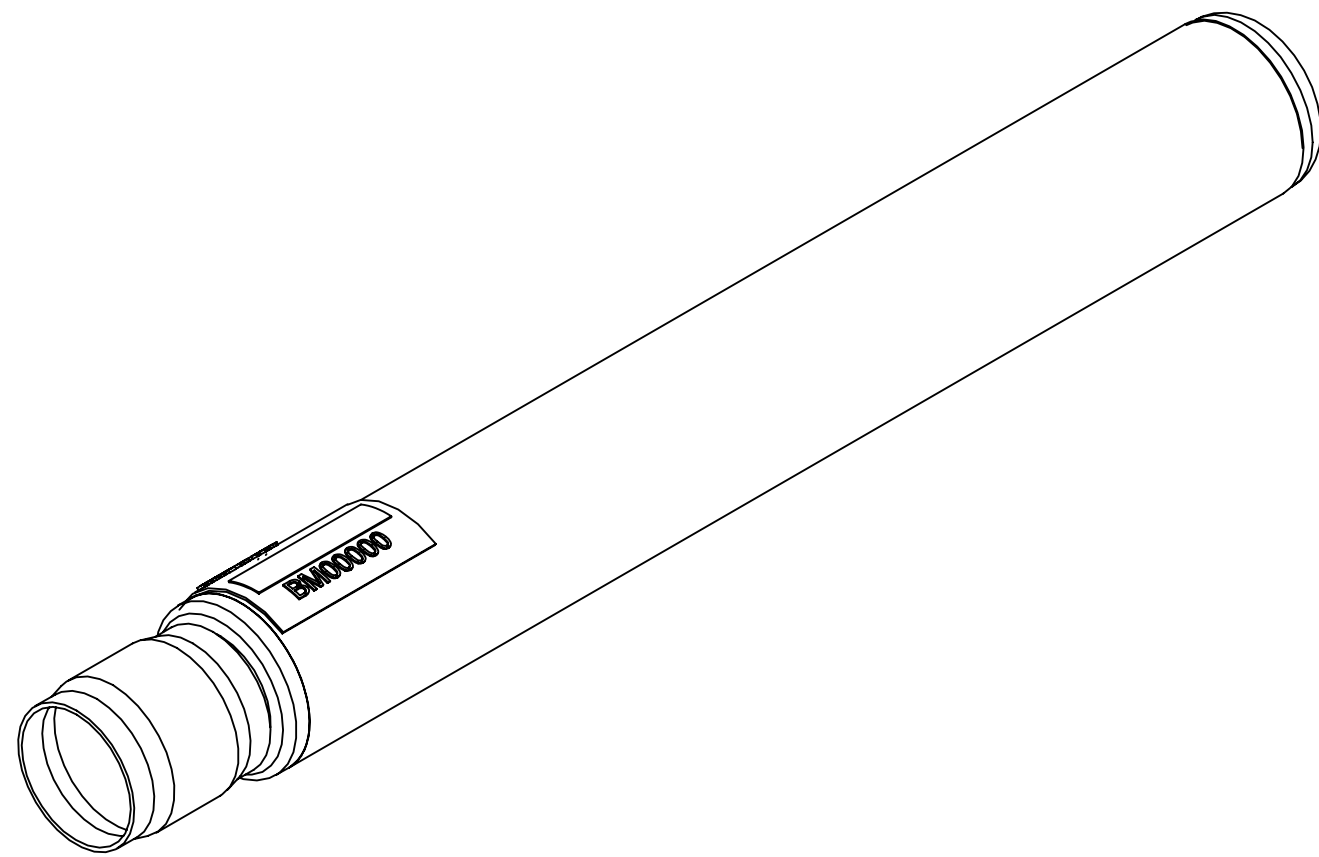


1. PHARAD P/N:103192
2. TRACEABILITY: TAGGED WITH PHARAD S/N
3. PART MARKING: PHARAD PART NUMBER LABEL 102371-035
4. FREQUENCY OF OPERATION: 5000-5900 MHz
5. WEIGHT: 1.6 OZ

| REVISIONS |      |  |          |          |
|-----------|------|--|----------|----------|
| ZONE      | REV. | DESCRIPTION                            | DATE     | APPROVED |
| N/A       | A    | INITIAL RELEASE                        | 1/3/2020 | BZG      |
| N/A       | B    | UPDATED CAP AND RADOME TO MATTE FINISH | 5/1/2020 | BZG      |



TNC CONNECTOR, MALE



**PROPRIETARY AND CONFIDENTIAL**  
 THE INFORMATION CONTAINED IN THIS DRAWING IS THE SOLE PROPERTY OF PHARAD, LLC. ANY REPRODUCTION IN PART OR AS A WHOLE WITHOUT THE WRITTEN PERMISSION OF PHARAD, LLC IS PROHIBITED.

|  |           |              |   |
|--|-----------|--------------|---|
| UNLESS OTHERWISE SPECIFIED:  | NAME      | DATE         | PHARAD, LLC<br>1340 CHARWOOD ROAD, SUITE L<br>HANOVER, MD 21076 |
| DIMENSIONS ARE IN INCHES   | DRAWN     | BZG 1/3/2020 |   |
| TOLERANCES:<br>TWO PLACE DECIMAL ±.010<br>THREE PLACE DECIMAL ±.005<br>ANGULAR ±1° | CHECKED   |              |   |
| MATERIAL   | ENG APPR. |              |   |
| SEE NOTES  | MFG APPR. |              | COMMENTS:   |
| FINISH   | SEE NOTES |              |   |
| DO NOT SCALE DRAWING   |           |              |   |

**TITLE:**  
 ASSEMBLY, FIXED ANTENNA,  
 5000-5900, 0.7 IN RADOME,  
 HORIZONTAL POLARIZATION

|          |              |          |
|----------|--------------|----------|
| SIZE     | DWG. NO.     | REV      |
| <b>C</b> | FH-5000-5900 | <b>B</b> |