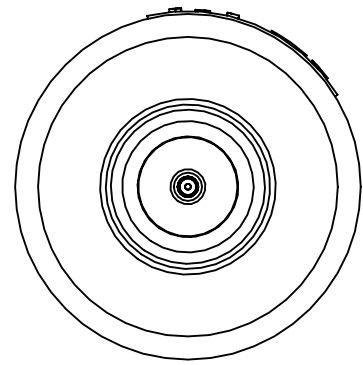
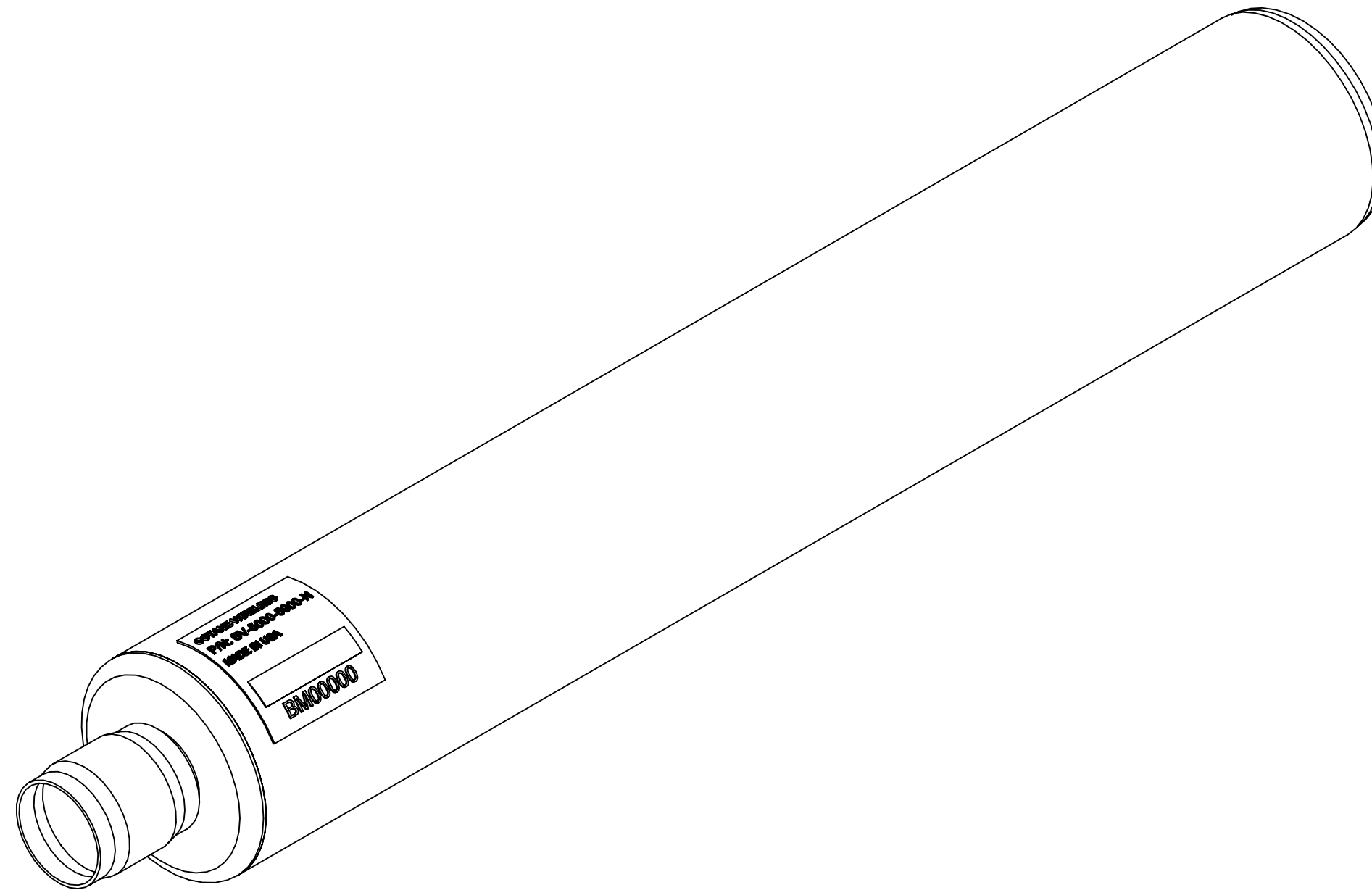
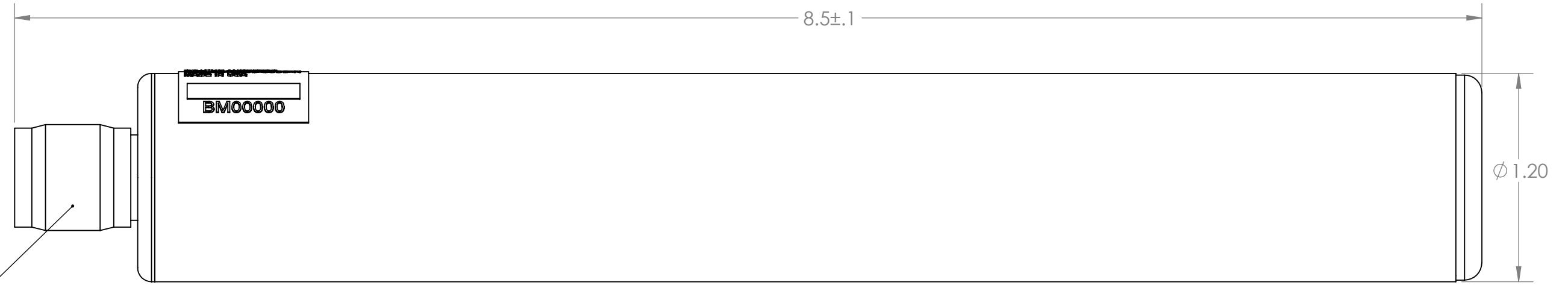


1. PHARAD P/N:103077
2. TRACEABILITY: TAGGED WITH PHARAD S/N
3. PART MARKING: PHARAD PART NUMBER LABEL 102371-004
4. FREQUENCY OF OPERATION: 2200-2500 MHz
5. WEIGHT: 3.1 OZ

REVISIONS				
ZONE	REV.	DESCRIPTION	DATE	APPROVED
N/A	A	INITIAL RELEASE	4/26/2019	BZG
N/A	B	UPDATED CAP AND RADOME TO MATTE FINISH	5/1/2020	BZG



TNC CONNECTOR, MALE



PROPRIETARY AND CONFIDENTIAL
 THE INFORMATION CONTAINED IN THIS DRAWING IS THE SOLE PROPERTY OF PHARAD, LLC. ANY REPRODUCTION IN PART OR AS A WHOLE WITHOUT THE WRITTEN PERMISSION OF PHARAD, LLC IS PROHIBITED.

UNLESS OTHERWISE SPECIFIED:	NAME	DATE	PHARAD, LLC 1340 CHARWOOD ROAD, SUITE L HANOVER, MD 21076
DIMENSIONS ARE IN INCHES	DRAWN	BZG 4/26/2019	
TOLERANCES: TWO PLACE DECIMAL ±.010 THREE PLACE DECIMAL ±.005 ANGULAR ±1°	CHECKED		
MATERIAL	ENG APPR.		
SEE NOTES	MFG APPR.		TITLE: ASSEMBLY, FIXED ANTENNA, 2200-2500 MHz, HORIZONTAL POLARIZATION
FINISH	COMMENTS:		
DO NOT SCALE DRAWING			

SIZE	DWG. NO.	REV
C	FH-2200-2500	B
SHEET 1 OF 1		