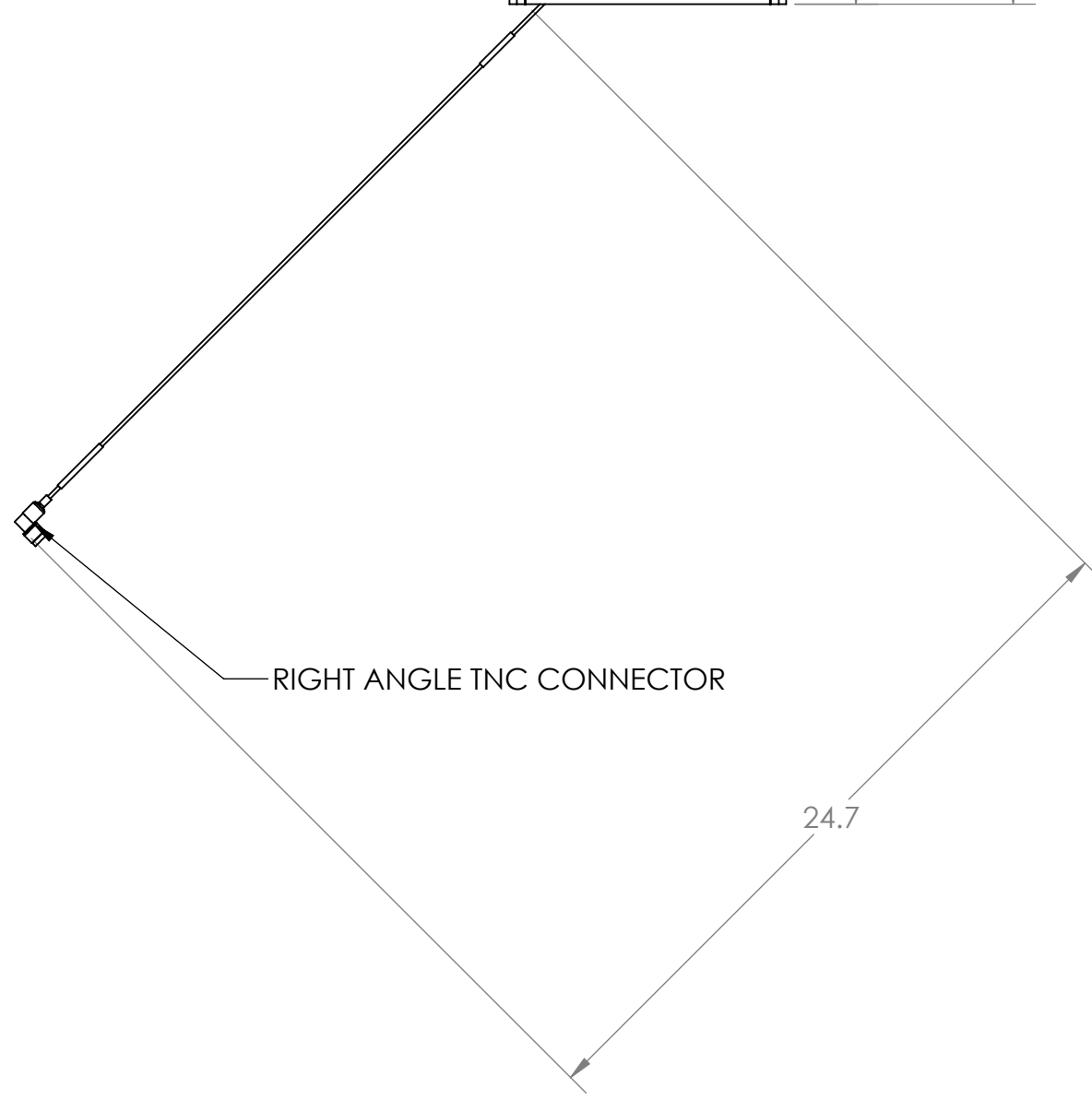
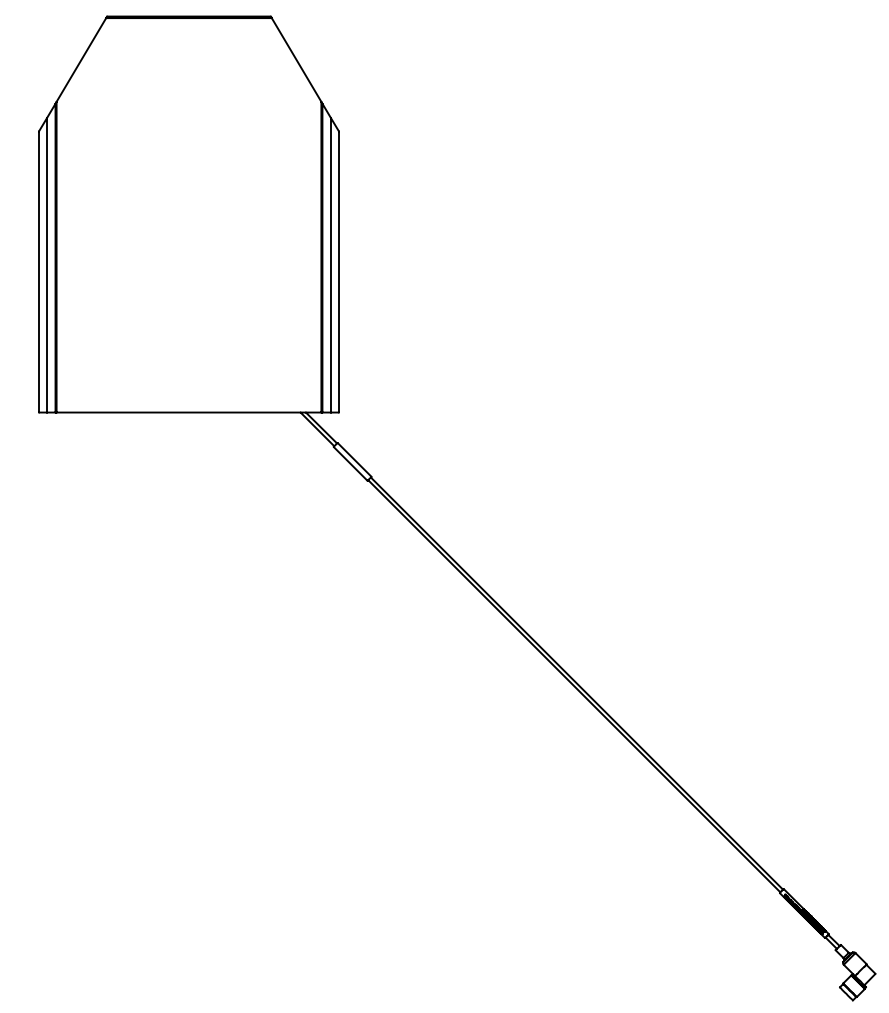
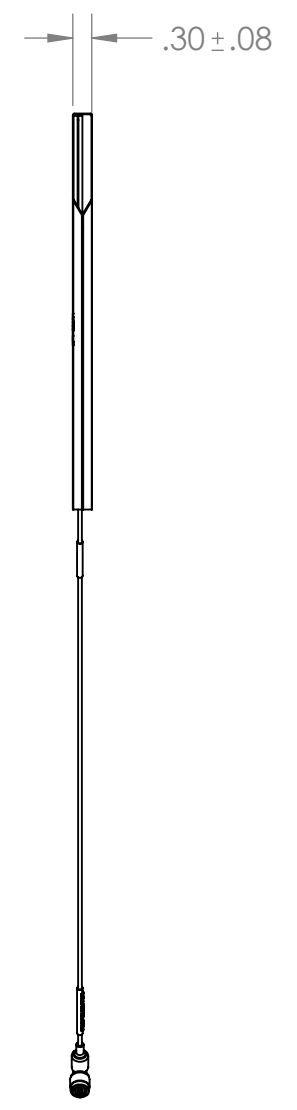
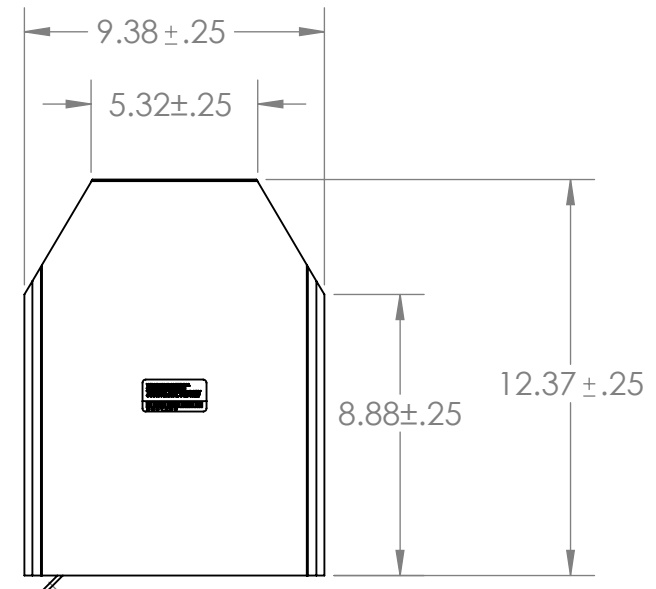


NOTES:

1. PHARAD P/N: 102273-002
2. TRACEABILITY: OCTANE WIRELESS S/N
3. PART MARKING: OCTANE WIRELESS MODEL NUMBER
4. FREQUENCY OF OPERATION: 225-6000 MHz
5. WEIGHT: 26 OZ

REVISIONS				
ZONE	REV.	DESCRIPTION	DATE	APPROVED
N/A	A	ENG RELEASE	7/11/2019	BZG
N/A	B	INCLUDED ADDITIONAL CUSTOMER DIMENSIONS	11/6/2020	BZG



NOTE: FOR BODY WEARABLE USE OVER BREASTPLATE

PROPRIETARY AND CONFIDENTIAL
 THE INFORMATION CONTAINED IN THIS DRAWING IS THE SOLE PROPERTY OF PHARAD, LLC. ANY REPRODUCTION IN PART OR AS A WHOLE WITHOUT THE WRITTEN PERMISSION OF PHARAD, LLC IS PROHIBITED.

UNLESS OTHERWISE SPECIFIED:	NAME	DATE
DIMENSIONS ARE IN INCHES	DRAWN BZG	7/11/2019
TOLERANCES:	CHECKED	
TWO PLACE DECIMAL ±.010	ENG APPR.	
THREE PLACE DECIMAL ±.005	MFG APPR.	
ANGULAR ±1°	COMMENTS:	
MATERIAL		
SEE NOTES		
FINISH		
SEE NOTES		
DO NOT SCALE DRAWING		

OCTANE WIRELESS 1340 CHARWOOD ROAD, SUITE L HANOVER, MD 21076		
TITLE: ASSEMBLY, JUMPABLE ANTENNA, 225-6000 MHz		
SIZE	DWG. NO.	REV
C	BW-225-6000-J	B
SCALE: 1:4		SHEET 1 OF 1