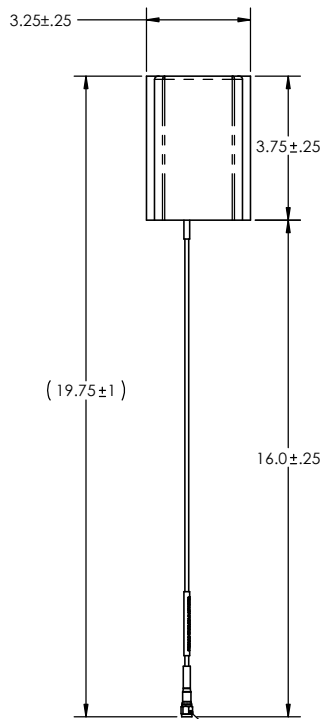


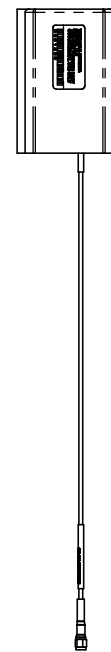
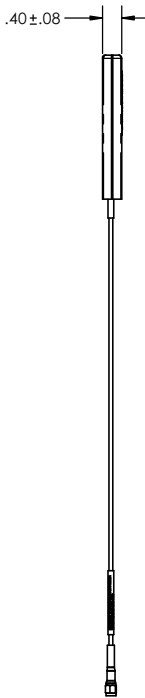
NOTES:

1. PHARAD P/N: 100560
2. TRACEABILITY: PHARAD S/N
3. PART MARKING: PHARAD MODEL NUMBER LABEL
4. FREQUENCY OF OPERATION: 800 - 900 MHz
5. WEIGHT: 1 OZ

REVISIONS				
ZONE	REV.	DESCRIPTION	DATE	APPROVED
N/A	A-01	REVISED POUCH LABEL TO INCLUDE S/N	2/21/2011	JDM
N/A	B	RELEASE TO PRODUCTION	11/30/2011	TJP
N/A	C	UPDATED DIMS	6/17/2013	HJJ



SMA CONNECTOR, MALE



<p>PROPRIETARY AND CONFIDENTIAL THE INFORMATION CONTAINED IN THIS DRAWING IS THE SOLE PROPERTY OF PHARAD, LLC. ANY REPRODUCTION IN PART OR AS A WHOLE WITHOUT THE WRITTEN PERMISSION OF PHARAD, LLC IS PROHIBITED.</p>	UNLESS OTHERWISE SPECIFIED: DIMENSIONS ARE IN INCHES	NAME JDM	DATE 10/15/2013	<p>PHARAD, LLC 1340 CHARWOOD ROAD, SUITE L HANOVER, MD 21076</p> <p>TITLE: ASSEMBLY, WEARABLE ANTENNA, 800-900 MHz</p>
	TOLERANCES: TWO PLACE DECIMAL ±.010 THREE PLACE DECIMAL ±.005 ANGULAR ±1°	CHECKED DJT	DATE 11/30/2011	
	MATERIAL SEE NOTES	ENG APPR. DN	DATE 11/30/2011	
	FINISH SEE NOTES	MFG APPR. AF	DATE 11/30/2011	
DO NOT SCALE DRAWING	COMMENTS:			<p>SCALE: 1:3</p> <p>SHEET 1 OF 1</p>

SIZE DWG. NO. REV
C BW-800-900 **C**